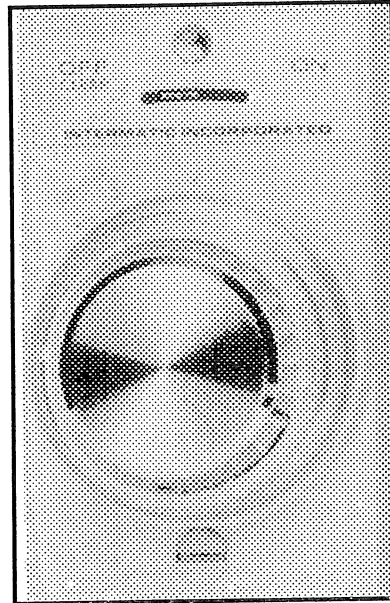




EJ200

INSTALLING AND USING YOUR NEW ELECTRONIC AUTOMATIC LIGHT SWITCH TIMER.



Your new Intermatic Timer is designed to switch your desired lights on and off. **THE TIMER WILL MEMORIZE YOUR HOUSEHOLD'S PATTERNS OVER A 24 HOUR PERIOD AND TURN YOUR LIGHTS ON AND OFF DUPLICATING YOUR REAL USE, GIVING YOUR HOME A 'LIVED-IN' LOOK WHEN YOU'RE AWAY!** Before you install your timer, review the procedure and the **IMPORTANT NOTES** below.

IMPORTANT NOTES

These instructions are for the automatic light switch timer model EJ200.

The EJ200 model is intended for incandescent, lighting single pole use (lights controlled from one location). Before installing your new switch make sure that this is the right Intermatic timer for your needs.

Use your timer with:

- Standard Incandescent lights.

Do NOT use with:

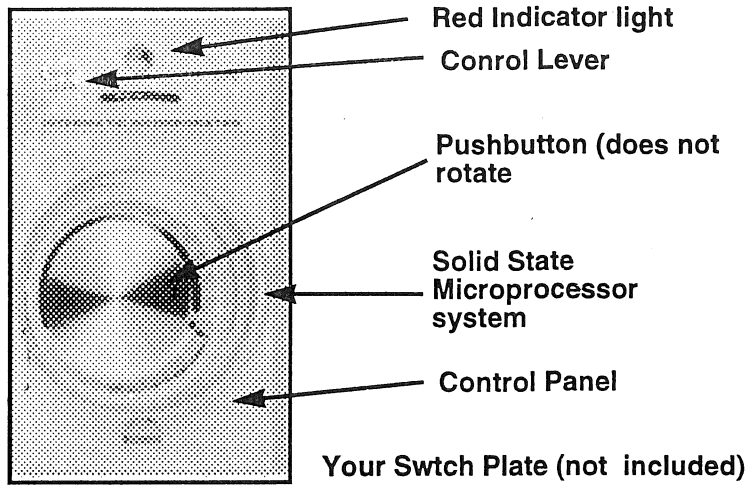
- Standard fluorescent lights • 'PAR' or 'R' type outdoor flood lights, some foreign or fused incandescent lights, Mercury Vapor lights
- A single light of more than 150 watts • Appliances • Radios, TVs, Stereos • Separate dimmers of photo-electric switches.

INSTALLATION

If you can install a standard light switch, you can in-stall this timer. The only tools you need are a phillips head and flat blade screwdriver.

Your new automatic light switch timer is designed to replace a standard light switch.

1. Turn off the power to the wall switch you are going to replace (remove the fuse or turn off the circuit breaker.)
 2. Pull out old switch.
 3. Carefully pull off the pushbutton time dial and lift off the cover assembly from the timer.
 4. Installing your new timer.
- 4a. EJ200 (Fig.1)



24 HOUR SELF PROGRAMMING:

Your normal usage determines the 'program'.

1. **MOVE:** Control Lever to 'OFF/CLEAR' for at least 5 seconds.
SEE: Indicator Light go off.
RESULT: Memory cleared...other programs will be gone.
2. **MOVE:** Control Lever to 'ON'
SEE: Indicator light will start flashing.
3. **TURN:** Lights on and off as you normally would for a 24 hour period.
SEE: Indicator Light will go off and stay off the 1st time you turn lights on.
RESULT: After 24 hours, your normal usage becomes the program.
NOTE: To be programmed, an 'ON/OFF' period must be at least 30 minutes.
SEE: Indicator Light will stay 'ON'.

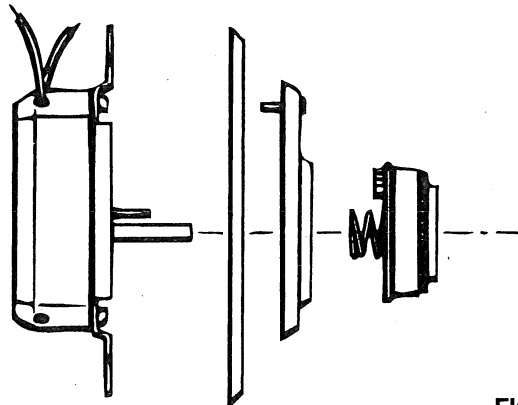


FIGURE 2

SPECIAL SITUATIONS

1. Temporarily switching from Automatic to Manual mode (without disturbing program).

PRESS: Pushbutton twice rapidly.
SEE: Indicator Light will go off.
RESULT: Timer is now in Manual mode.
TO RETURN: To Automatic mode, PRESS pushbutton twice rapidly.

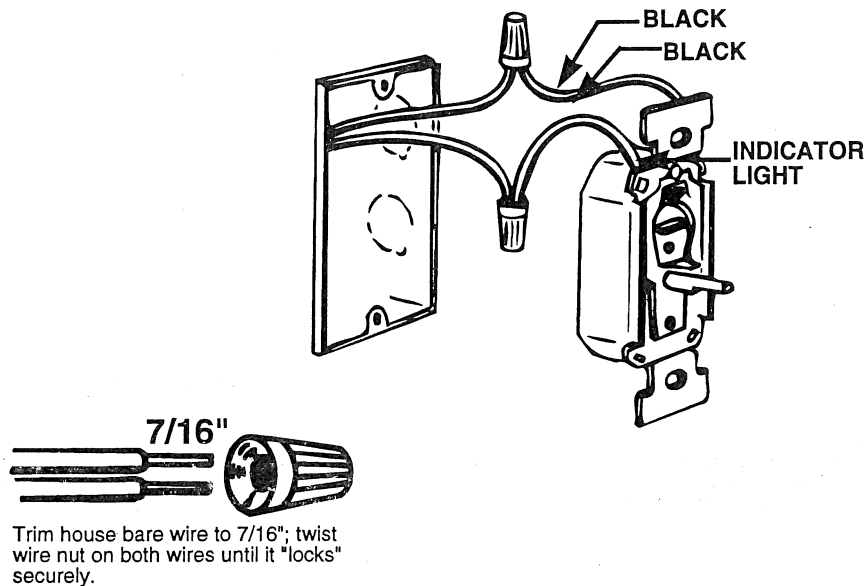


FIGURE 1

Simply disconnect the wires from the old switch and connect them to your timer using the wire nuts provided. Connect the ground wire (usually connected to a green hex head screw) to the metal wall box or other suitable ground.

5. Mount timer in wall box using flat head screws supplied.

BE CAREFUL NOT TO CUT WIRES ON THE BOX EDGES.

6. Align switch plate with timer bracket (upper screw hole of plate over the red indicator light). (See Fig. 2)

7. Install control panel by inserting clear plastic pin in upper screw hole of plate (don't worry about this with 'decorator' style switches). Screw the black flat head screw into the hole above the center shaft and the phillips head dome in the bottom hole.

SNUG THE SCREWS BUT DON'T OVER-TIGHTEN.

8. Partially slide pushbutton time dial back onto shaft by aligning flat on shaft and dial.

INSTALLATION IS NOW COMPLETE FOR SINGLE POLE USE... TURN YOUR POWER BACK ON.

CONTROLS AND INDICATORS

CONTROL LEVER

A. In 'ON' position, timer is working and ready for programming.

B. In 'OFF/CLEAR' position, power is off and programmed memory is cleared.

PUSHBUTTON / TIME DIAL

A. Press once to turn lights on or off manually.

B. Press twice quickly to switch from manual to automatic operation or back to manual.

INDICATOR LIGHT

A. OFF: Control Lever is in 'OFF' position or timer is in manual mode, being programmed or program is being reviewed.

B. ON STEADY: Timer is programmed and in automatic mode.

C. FLASHING: Memory cleared and ready for programming.

2. Using the timer like a "normal" light switch.

Even in Automatic mode, your timer can be used as a simple "ON/OFF" switch just by pressing the pushbutton once for on or off. This won't disturb the next programmed on/off period.

3. Burned-out light bulbs.

When a bulb burns-out, the indicator light will go out to alert you that the timer won't operate automatically.

MOVE: Control Lever to "OFF/CLEAR".

REPLACE: Burned-out bulb.

MOVE: Control Lever to "ON"

RE-PROGRAM

4. POWER FAILURES

Your timer's memory will be retained for a minimum of 15 minutes (depending on conditions) in the event of a power failure. Longer duration power failures may call for re-programming.

SPECIFICATIONS

POWER REQUIREMENTS: In series with 120 VAC, 60 Hz. Incandescent lighting loads.

LOAD CAPACITY: Incandescent only-40 to 500 watts.

Timer requires a minimum lamp load totalling 40 watts, maximum combination load (all lights) totalling 500 watts.

MINIMUM ON/OFF PERIOD: 30 minutes.

REPEAT CYCLE: 24 hours

DAILY OPERATIONS: Up to 48 per day (24 on/24 off)

VARIABILITY: On/Off times automatically vary at least 7 minutes from the programmed time and at least 15 minutes from the previous day.

DO NOT: Use this timer with separate dimmers of photo-electric switches. We recommend that you **DO NOT** use with "PAR" or "R" type outdoor floodlights or lamps larger than 150 watts as currents generated during lamp burn-out could damage the timer.

Your timer generates weak radio energy and may, in

rare cases, cause radio or TV interference. If it does, try plugging the receiver into another AC outlet, adjusting the antenna or moving the receiver to another location.

TROUBLESHOOTING

Timer won't turn lights On/Off using pushbutton	a) check fuse/circuit breaker b) burned out bulbs? loose bulbs or connections?
Timer is warm to the touch	some warmth is normal but... a) does bulb wattage exceed ratings?
Lights flicker or not fully bright.	a) check wiring diagrams and instructions

WARRANTY

If within one (1) year from the date of purchase, this product fails due to a defect in materials or workmanship, Intermatic Incorporated will repair or replace it free of charge.

The warranty does not apply to: a) damage caused by accident, abuse, mishandling, dropping; b) units which have been subject to unauthorized repair, opened, taken apart; c) units used in applications not recommended; d) damages exceeding the cost of the product. This warranty service is available by either; a) returning the product to the dealer from whom the unit was purchased or; b) mailing the unit, postage prepaid, to the authorized service center listed below. Please be sure to wrap the product securely to avoid shipping damage. This warranty is made by Intermatic Incorporated, Intermatic Plaza, Spring Grove, Illinois 60081-9698.

AUTHORIZED SERVICE CENTER

Intermatic Incorporated
4720 West Montrose Avenue
Chicago, Illinois 60641

INTERMATIC INCORPORATED
SPRING GROVE, ILLINOIS 60081-9698