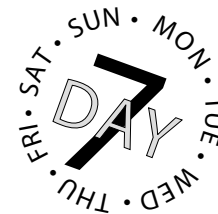


Operating Instructions

Digi 322 7-Day Four Circuit Electronic Time Switch



The digi 322 controls are four channel electronic time switches with 7-day and 24-hour programming. The channels are freely programmable with a total of 322 schedules. The load status, time of day, and date are displayed on a large LCD readout.

TECHNICAL DATA

Input Voltage:	120VAC, 50-60 Hz input
Relay Switch Rating:	16A @ 24/250 VAC
Output Relay:	SPDT dry contacts for each channel
Power Consumption	5 VA
Battery Backup:	150 hours minimum, rechargeable battery is built in
Temperature Range:	14°F – 131°F (–10°C to 55°C)
Display:	AM/PM LCD 7/8" x 1-5/8"
Dimensions:	H 3-1/4" x W 4-1/8" x D 2-7/8"
Weight:	18 oz.
Mounting:	Surface & DIN rail (NEMA 1 indoor & NEMA 3R outdoor enclosures available)
Shortest Switching Time:	One second
Block Programming:	Weekdays, Weekends

Functional Description

The Digi 322 time control can be programmed as a 24-hour or a 7-day time switch. The annual daylight savings/standard time changes can be programmed to occur automatically each year through 2090.

Please read these operating instructions carefully so that you will be able to take full advantage of the functions offered by the Digi 322 time control.

TO THE INSTALLER:

1. Read operating instructions carefully.
2. Check the input voltage ratings marked on the unit to make sure this product is suitable for your power supply and application.
3. Disconnect power supply prior to installation to prevent electrical shock.
4. Damage to the relay-contacts caused by short circuiting will void warranty.
5. Wire in accordance with National and Local electrical code requirements.

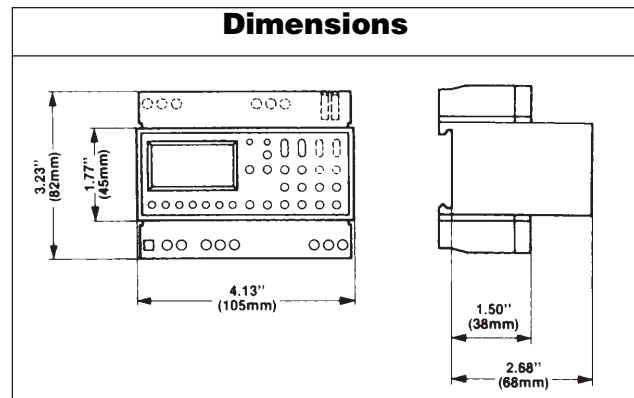
Installation

MOUNTING

Surface mounting the Digi 322 inside a control panel or enclosure is accomplished with the supplied rail—the rail is surface mounted with two screws. Mount at convenient eye level position.

You are now ready to affix the unit to the rail. Place the two protruding guides, which are on the top of the rear rail cutout slot, over the top lip of the rail; then snap the bottom into place.

The timer module can be removed from the timer



The Digi 322 can store up to 322 programs. These 322 programs can be freely assigned to different days, switching times, and channels. A storage position is used each time the button "S" is pressed. If all 322 storage positions are used up, four 8's will be shown in the display.

If a program step is not complete and storage is attempted with the "S" button, the missing components will blink in the LCD.

SETTING THE TIME

[Example: 8:15 AM, July 10, 1996]

Press "Reset" to clear the time and all programs.

While holding ☹ :

Press "Year"	to 96
Press "Month"	to 7 (July)
Press "Day"	to 10
Press "h+"	to 8 (AM)
Press "m+"	to 15

Release the ☹. The current date and time will be displayed, as will the day of the week; the time colon will blink. Channel settings and override status will be indicated on the right and the +1h indicates that Daylight Savings Time is in effect, if appropriate.

DAYLIGHT SAVINGS TIME FUNCTIONS

The Digi 322 is programmed with European Daylight Time changeover dates (the last Sundays in March and October) through the year 2090. USA changeover dates (the first Sunday in April and last Sunday in October) may be programmed as follows:

Example: For 1997; April 6 and October 26

With pencil, press "S/W" key; The automatic European dates are shown along with "AU" and ±1h.

Press "Month"	to 04 (April)
Press "Day"	to 06

"HA" shows in display, (annual changeover)

The end date shown will be the correct ending date "10:26" for the USA. (If necessary to change the end date, press "→", then "Month" and "Day").

Press "Year" key once; "c" appears above "HA", indicating it will change on the correct days every year through 2090.

Press "S" to store

Press the ☹ to return to run mode.

Daylight Time Changeover Dates

1997: April 6, October 26
 1998: April 5, October 25
 1999: April 4, October 31
 2000: April 2, October 29
 2001: April 1, October 28
 2002: April 7, October 27

CHANNEL SELECTION

The control of channels is not restricted within a single program. All programs can be turned on or off at the same time. For example, channel 1 can be turned OFF simultaneous to channel 2 being turned ON or all channels can be turned OFF at the same time.

NOTE
 For areas with NO Daylight Time Changeover
 Press "S/W"
 Press "CL"
 Press "S"
 Press "☹"

PROGRAMMING 7-DAY SCHEDULES

NOTE: The actual time of day must be set prior to programming. Also set Daylight Savings Time. We recommend that all programs be first written out on the enclosed program worksheets.

[Example: Channel 1 on at 7 AM and off at 6 PM, Monday thru Friday]

Press "h+"	to 7 AM (press 9 times)
Press "m+"	to 00 (<u>once</u>)
Press "Sa"	to omit Saturday
Press "Su"	to omit Sunday
Press "I/O"	(for channel 1) to I (ON)
Press "S"	to store
Press "h−"	to 6 PM
Press "m+"	to 00 (<u>once</u>)
Press "Sa"	to omit Saturday
Press "Su"	to omit Sunday
Press "I/O"	(for channel 1) <u>twice</u> to 0 (OFF)
Press "S"	to store

Special Program Functions

MOMENTARY CONTACT PROGRAM

Short duration programs in 1-second intervals up to 59 seconds can be programmed for loads such as bells.

[Example: A noon whistle (channel 2) for six seconds Monday through Friday]

Press "h+"	to 12 PM – noon
Press "m+"	<u>once</u> to 00
Press "I/O"	(channel 2) <u>once</u> to 1
Press "┘┘"	to 6 (seconds)
Press "Sa, Su"	to eliminate Saturday & Sunday
Press "S"	to store

NOTE: This can only be used for ON commands.

Once the Digi 322 is programmed, it will automatically "look back" and assume the correct ON or OFF switch position.

MANUAL OVERRIDE

The Digi 322 provides temporary and fixed overrides. Each channel has an elongated button below the ⚡. Pressing this button will change the status of a channel, i.e. ON to OFF or OFF to ON. The small ☹ in the display will change to ⚡ indicating an override condition. This is a temporary override which will in turn be overridden by the next program change. For example, if lights are programmed to turn off at 4 PM and they are turned on manually at 2 PM, they will turn off at 4 PM.

DIGI 322 PROGRAM WORK SHEET

SINGLE HOLIDAY PROGRAM STEPS

NOTE: Leave all days of the week on

	WEEKDAYS				SWITCH TIME	CHANNEL I = ON 0 = OFF					REMARKS
	DATE	(1) BLK	(2) PRIOR	1X		1	2	3	4	□	
1											
2											
3											
4											
5											
6											
7											
8											
9											
10											
11											
12											
13											
14											
15											
16											
17											
18											
19											

NOTES

- (1) The computer will assign block numbers. Record them here.
- (2) The computer will assign priorities which you can change if necessary. Record them here.