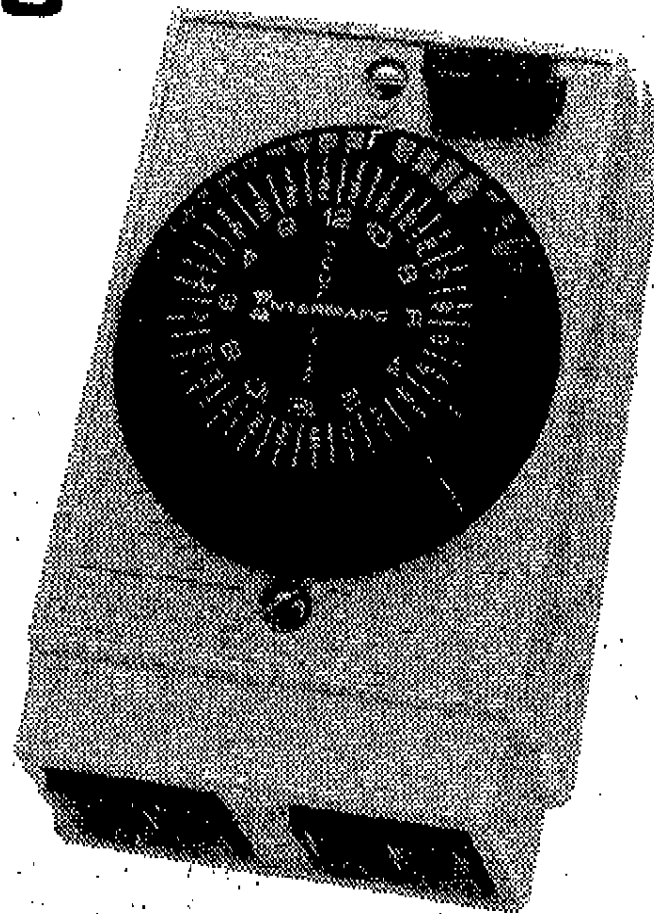


How to install and operate your NEW

INTERMATIC

24 HOUR automatic in-wall multiple program timer



model: E-1022



FOR DUPLEX POWER OUTLET
APPLICATION/REPLACEMENT ONLY
RATED: 15 AMP. MAXIMUM. 12 AMP.
(1500 WATT) TUNGSTEN, 12 FULL LOAD
AMPERES - 125 VOLTS, 60 HZ.

THIS IN-WALL TIMER....

... is designed to be easily installed in an electrical junction box to replace a wall receptacle. The unique MULTIPLE Program feature enables the user to automatically turn portable lamps or appliances ON and OFF several times a day. It will follow a pre-set program and will repeat it every 24 hours. Nevertheless, the program can be easily changed, manually interrupted or suspended at any time.

... provides 2 outlets, one is, "timed" to turn lights and appliances "ON" and "OFF" automatically, and the other is continuous service outlet.

HOW TO INSTALL.

1. Disconnect your electrical power for safety during installation.
2. Remove wall plate and disconnect receptacle.
3. Connect black timer wire to "hot" (usually black or red) wire in junction box using wire connector.

Connect white timer wire to white wire in junction box using wire connector.

Green timer wire should be connected to the grounding screw of the **METAL** junction box or, if your wiring employs insulated conductor for grounding, to the **GREEN** grounding conductor in the junction box. In this case cut-off the terminal at the end of the green timer wire and re-strip its end in order to make the connection. (See Figure 1).

4. Check that all connections are secure.
5. Place all wires inside junction box. Fit timer over junction box first, making sure that all wires and wire nuts clear the back of timer motor. DO NOT FORCE. Next, install timer using (2) mounting screws furnished.
6. Reconnect your electrical power.

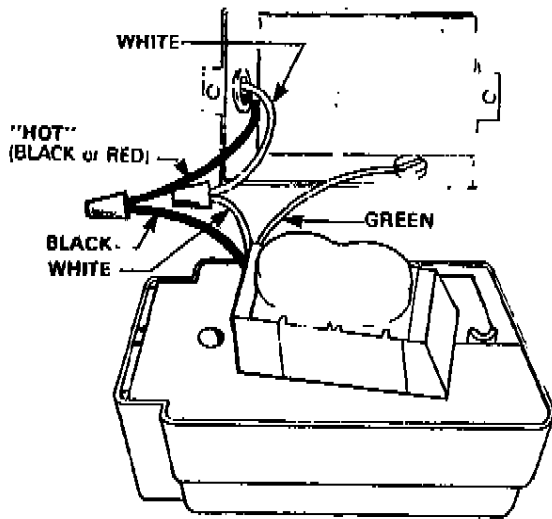
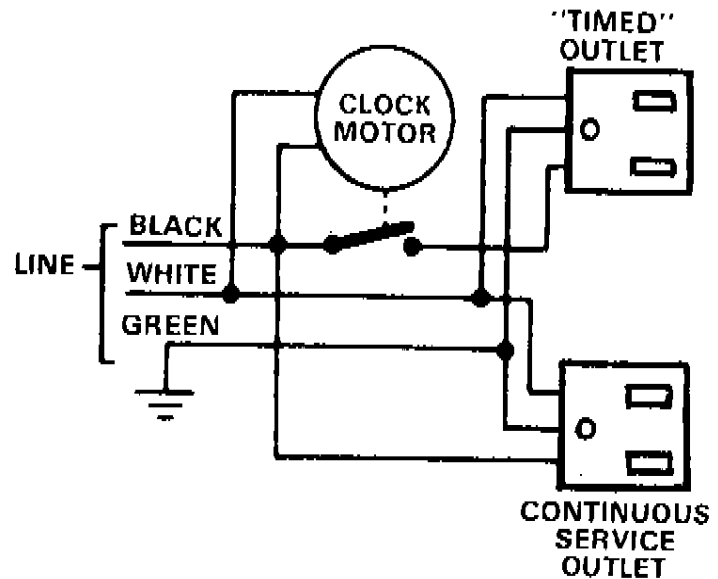


FIGURE 1



WIRING DIAGRAM

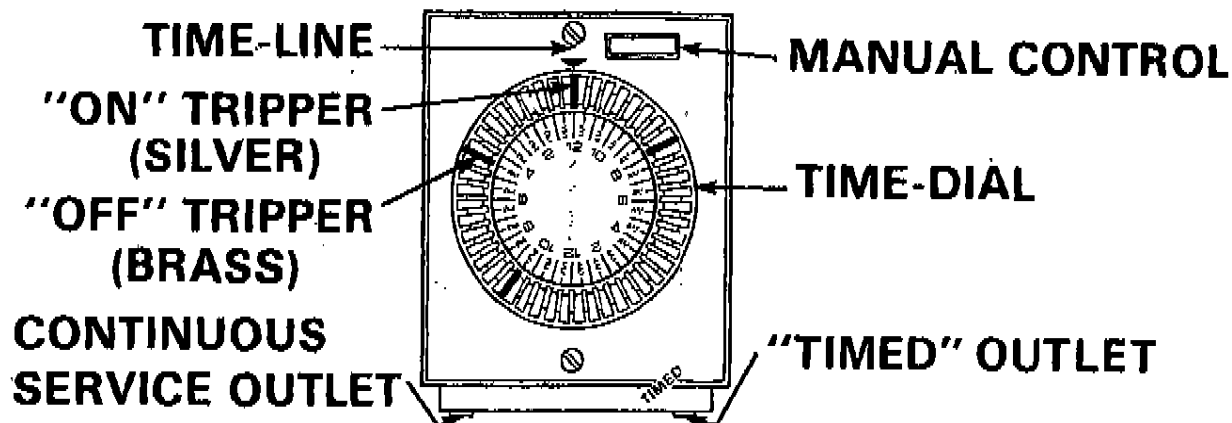
FULL ONE YEAR WARRANTY

If within one (1) year from the date of purchase, this product fails due to a defect in material or workmanship, Intermatic Incorporated will repair or replace it free of charge.

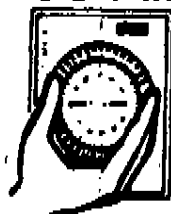
The warranty does not apply to: (a) damage caused by accident, abuse, mishandling, dropping; (b) units which have been subject to unauthorized repair, opened, taken apart; (c) units not used in accordance with directions; (d) damages exceeding the cost of the unit. Some states do not allow a limitation of damages, so the foregoing limitation may not apply to you. This warranty gives you specific legal rights, and you may also have other rights which vary from state to state.

This warranty service is available by either (a) returning the product to the dealer from whom the unit was purchased, or (b) mailing postage prepaid to the nearest authorized service station listed below. Please be sure to wrap the product securely when mailing to avoid shipping damage. This warranty is made by: Intermatic Incorporated, Intermatic Plaza, Spring Grove, Illinois 60081.

INTERMATIC INCORPORATED

HOW TO OPERATE YOUR TIMER...**FOR AUTOMATIC PROGRAMMING: (REPEATS EVERY 24 HOURS)**

1. GRASP TIME-DIAL FIRMLY, PULL AND REMOVE COMPLETELY FROM TIMER.



2. REMOVE ALL ON TRIPPERS (SILVER) AND OFF TRIPPERS (BRASS).

USE PENCIL OR PAPER CLIP IF NECESSARY.

**3. TO PROGRAM TIMER:**

FIRST, INSERT OFF TRIPPERS (BRASS) IN SLOTS FOR DESIRED OFF TIMES, BUT NOT CLOSER THAN 2 HOURS APART.

SECOND, INSERT ON TRIPPERS (SILVER) IN SLOTS FOR DESIRED ON TIMES, BUT NOT CLOSER THAN 2 HOURS APART. ON AND OFF TRIPPERS MAY BE SPACED 1/2 HOUR APART FROM EACH OTHER.

4. REPLACE TIME DIAL, PUSH IN FIRMLY. IF ANY TRIPPERS ARE NEAR THE TIME-LINE, ROTATE TIME-DIAL TO AVOID

INTERFERENCE WITH MECHANISM INSIDE.

5. TURN TIME DIAL CLOCKWISE ONE OR MORE REVOLUTIONS, UNTIL CORRECT TIME-OF-DAY IS OPPOSITE TIME-LINE.
6. TURN LIGHT OR APPLIANCE "ON" AND PLUG IT INTO "TIMED" OUTLET OF TIMER.

● TO TURN LAMP OR APPLIANCE ON OR OFF MANUALLY AT ANY TIME, USE MANUAL CONTROL AS INDICATED. THIS WILL NOT EFFECT NEXT AUTOMATIC OPERATION.

● TO STOP AUTOMATIC OPERATION, (BUT KEEP TIMER RUNNING) PULL OUTWARD ON TIME DIAL UNTIL IT CLICKS.

● TO RESUME AUTOMATIC OPERATION, PUSH INWARD ON TIME-DIAL.

TO SECURE EXTRA TRIPPERS ORDER NO. 156EB1945A FOR A SET OF 2 ON AND 2 OFF TRIPPERS.

CAUTION: WATTAGE OF LAMPS OR APPLIANCES BEING CONTROLLED SHOULD NOT EXCEED CAPACITY OF TIMER.

INTERMATIC INCORPORATED
SPRING GROVE, ILLINOIS 60081