

# LIGHTING SYSTEMS

## TRANSFORMER INSTALLATION AND OPERATING INSTRUCTIONS

### LOCATING AND INSTALLING YOUR TRANSFORMER

Once you have surveyed your property and determined where to place your accent lighting... such as along the walk, outlining the patio, etc., then...

1. Attach power cable to bottom of transformer with two terminal screw provided. See Fig. 1.
2. Hang raintight transformer within 1 foot of a standard grounded electrical outlet (115/125) volt only). See Figure 2. This product should be grounded. In the event of an electrical short circuit, grounding reduces the risk of electric shock by providing an escape wire with an appropriate grounding plug. The plug must be plugged into an outlet that is properly installed and grounded in accordance with all local codes and ordinances. Do not repair, or tamper with, this cord or plug without the assistance of an electrician or qualified serviceman. When mounted out-of-doors install transformer not less than one foot above ground with cable terminals down.
3. Plug transformer power cord into the grounded outlet described in step 2 and turn it on. It will be necessary to cover the photoelectric eye at this time so it does not see light. See Figure 3. A piece of electrical tape will work for this purpose. Turn the timer dial so that the **ON** orange tripper passes the time line indicator. See Figure 4.
4. Stretch power cable to full length and route it where lights are going to be installed.
5. Refer to and follow the instructions included which specifically relate to the assembly and installation of your low voltage lighting fixtures.

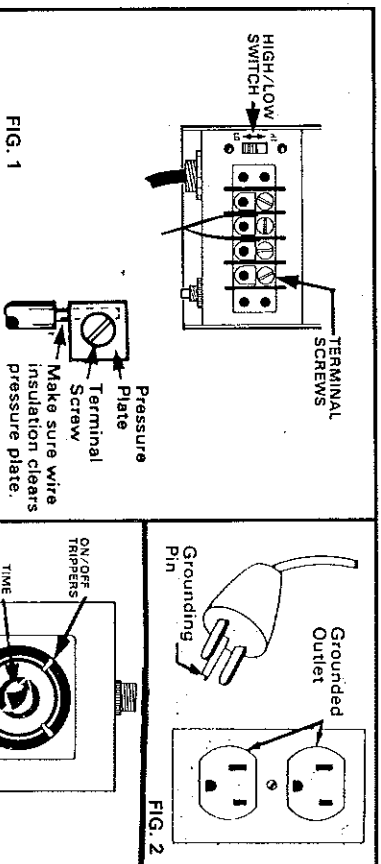


FIG. 1

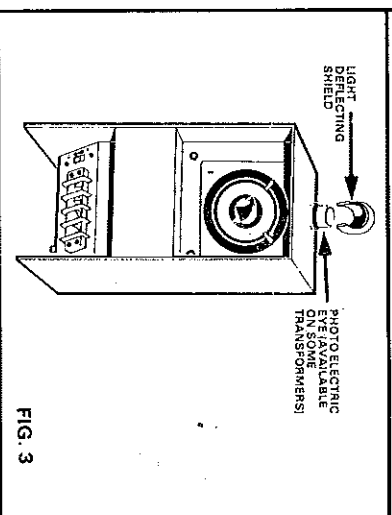


FIG. 3

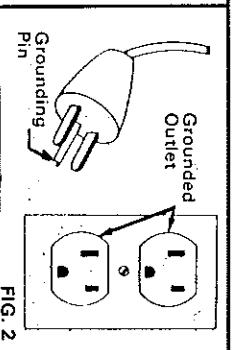


FIG. 2

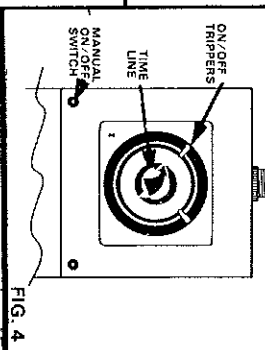


FIG. 4

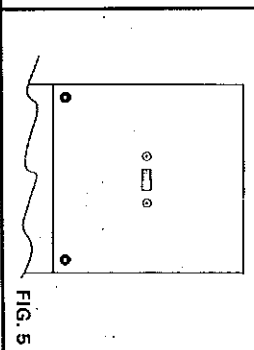


FIG. 5

Once fixtures are installed, they can be controlled in a variety of ways with your model power pack. Follow specific instructions for the method that best suits your needs.

**COMBINATION PHOTO CONTROL AND TIMER ON/OFF** - Your lights can be set to go on or off in a variety of ways by utilizing both the photo control and the timer. First, make certain that the unit is mounted so that the photo eye is exposed only to natural daylight. For best results, mount transformer on an unshaded surface protected from artificial lights. With low voltage cable attached as shown in Figure 1, plug power cord into a live grounded outlet and **make certain unit is turned on**, see switch in Figure 4. During daylight hours, it will be necessary to cover the photo eye with something like dark tape to simulate darkness or the unit will remain off. This unit is supplied with a light deflecting shield, see Figure 3, which may be rotated to compensate for unusual light conditions. Shields used by snapping on to the threaded part of the photo eye. To override the photo control and turn the lights off at a specific time during hours of darkness, insert one of the blue **OFF** trippers next to the time you want the lights to go off, see Figure 4. If you should want the lights to come back on again before daylight, place one of the **ON** orange trippers next to the time you want the lights to turn back on. The lights will remain on until the photo control turns them off at dawn. Once these steps have been completed, turn the timer dial clockwise one or more complete revolutions until the present time-of-day is adjacent to the time arrow on the dial.

Please note that an **ON** orange tripper **must be used** to activate the photo control prior to darkness; we suggest setting it at the noon position. The lights will then turn on momentarily each day at noon which indicates that the photo control is working properly. They will then turn off and come back on at dusk.

**TIMER CONTROL ON/OFF** - (On or off at preset times). Mount power pack and attach cable as explained in steps 1 and 2. On and off times are determined by tripper placements, see Figure 4. Insert **ON** orange tripper next to the time you want lights to come on and blue **OFF** tripper next to the time you want the lights to go off. If you desire a second **ON/OFF** cycle, use two sets of trippers. To set timer, make certain unit is plugged into a live grounded outlet, then turn dial clockwise one or more complete revolutions until the present time-of-day is adjacent to the time-of-day arrow. If you want the lights on during daylight hours for any reason, it will be necessary for the photo eye to be covered with electrical tape or something similar so that it does