

Outdoor Wall Mounted Luminaire

WML Series

The WML Series luminaire is ideal for many entryways, tunnels, loading docks and building facades. It features a high quality, low profile, outdoor design.

Features:

- Side Hinged Door allows installer to use both hands when relamping
- Dark Bronze powder coat finish
- Fluorescent options available

Specifications:

Lens:	High impact and heat resistant borosilicate glass for greater light distribution. Lens replacement is quick and simple with only four screws to remove.
Construction:	Heavy duty die-cast aluminum housing with dark bronze powder coat finish. Borosilicate glass lens and silicone rubber gaskets to prevent leakage. One piece anodized aluminum designed reflector for better light efficiency.
Lampholder:	Specification grade porcelain, medium base
Ballasts:	Quad-Tap – 120V / 208V / 240V / 277V Tri-Tap – 120V / 277V / 347V Fluorescent Ballast – 120V - 277V 480V - for 400 W only
Certification:	Certified to UL and cUL Suitable for wet locations

Project: _____

Location: _____

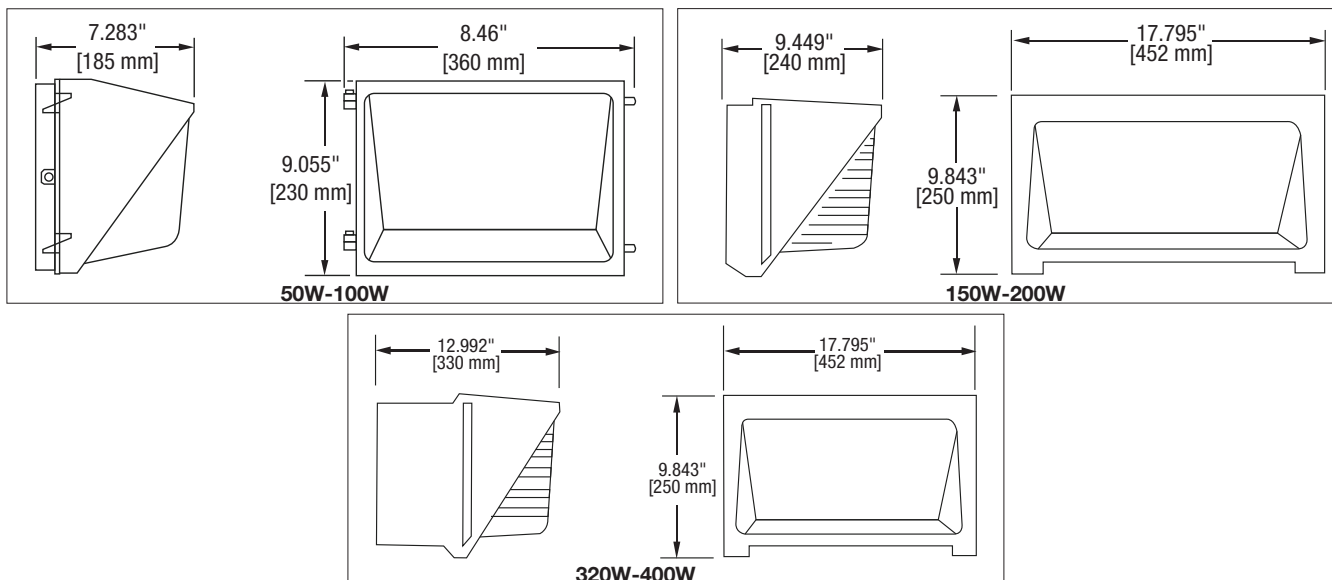
Product Type: _____

Contact/Phone: _____

Model #: _____



Dimensions:



WML Series



Ordering Information:

Series	Lamp/Watts	Volts	Options	Finish	
WML	Metal Halide		Q - Quad-Tap 120 / 208 / 240 VAC	No Suffix - No Lamp L - Lamp	No Suffix - Dark Bronze WH - White
	50M	50 Watts - only available in 120/277V			
	70M	70 Watts	T - Tri-Tap 120 / 277 / 347 VAC		
	100M	100 Watts			
	Pulse Start Metal Halide		F - Fluorescent Ballast 120 - 277 VAC		
	150P	150 Watts			
	250P	250 Watts			
	320P	320 Watts			
	High Pressure Sodium		D - 120/277V Ballast (must use for 50W metal Halide)		
	400P	400 Watts			
	150H	150 Watts			
	250H	250 Watts			
	Fluorescent				
	400H	400 Watts			
142F	(1) 42W CFL				
242F	(2) 42W CFL				

Accessories (sold and shipped separately)	
WML-WG1	Wire Guard (50W - 100W)
WML-V1	Visor (50W - 100W)
WML-VS1	Vandal Shield (50W - 100W)
WML-WG2	Wire Guard (150W - 250W)
WML-V2	Visor (150W - 250W)
WML-WG3	Wire Guard (320W - 400W)
WML-V3	Visor (320W - 400W)

Photometrics:

